

Epsilon Range

“A range of technically engineered progressing cavity pumps, designed to give least whole life costs and reduced spares requirements”.

Typical Applications

Capacity	up to 1850 gpm	<ul style="list-style-type: none"> • Digested sewage sludge, primary and secondary sludge • Mineral processing • Industrial chemicals, detergents, polyethylene glycol • Crude oil, hydraulic oil, waste oil • Starches, liquified potato peel, cocoa butter • Kaolin slurry, coating slurry, natural and synthetic latex • Mine water
Pressure	up to 350 psi	
Temperature	14°F up to 230°F	

PowerDrive™ transmission



Wearing components are eliminated between the drive end and the pumping element, offering you increased reliability. No lubrication is needed, therefore product contamination is eliminated. Pump lifetime cost is reduced due to lower spares costs. A shorter PowerDrive is available where space saving is a priority.
Monoflo's PowerDrive is backed by a 10 year warranty.

Bloc construction

Minimizes overall dimensions, giving you a shorter pump length. Eliminates the need for coupling and guard.

Interchangeable components

A large number of Epsilon components are interchangeable with the Compact C Range, reducing inventory holding.

Materials of construction

Available in cast iron or stainless steel, with a choice of rotor and stator materials to suit individual applications e.g. hard chrome plated rotor or natural rubber stator.

Low running speeds

Reduced wear for a longer working pump life which extends the periods between routine maintenance. Think of the savings that could be realized on abrasive applications.

Gentle pumping action

Minimizes shear and crush damage to the pumped product, whilst maintaining a steady flow when pumping products with a high solids content.

Duracoat coating

Rotors can be supplied with Monoflo's range of specialized coatings to help extend the life of the rotors through improved wear and corrosion resistance

High pressure / long haul pumping

Can offer considerable project cost savings by utilizing small bore pipework and eliminating the need for a series of pumps, when pumping over long distances or with high head requirements.

Inspection cover

Available for applications where rag content is a problem.

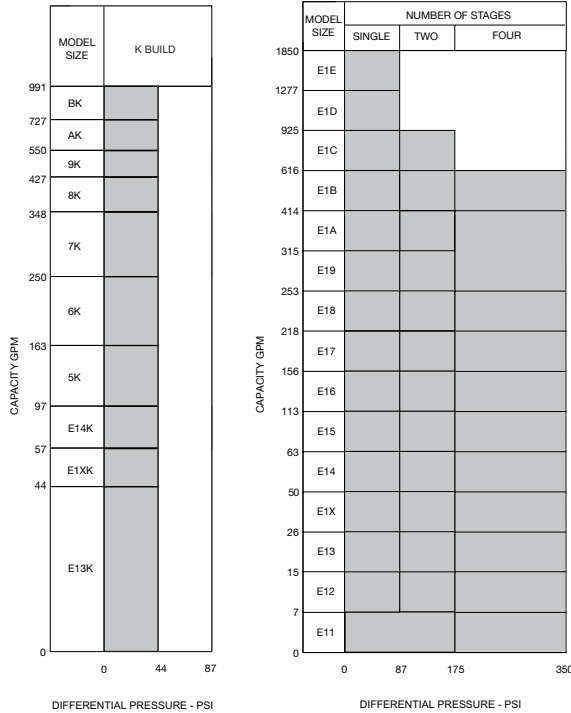
Robust drives

Specially selected fixed and variable speed drives for longer life, due to flange mounted drive.



One Company, Unlimited Solutions

Performance Data



*E1BB models and above, and various 4 stage options are bareshaft and not available on a form folded baseplate.

For guidance in selecting a pump or the dimensions for 4 stage and large Epsilon models, please contact Monoflo.

Dimensions

SMALL EPSILON MODELS - STANDARD POWERDRIVE

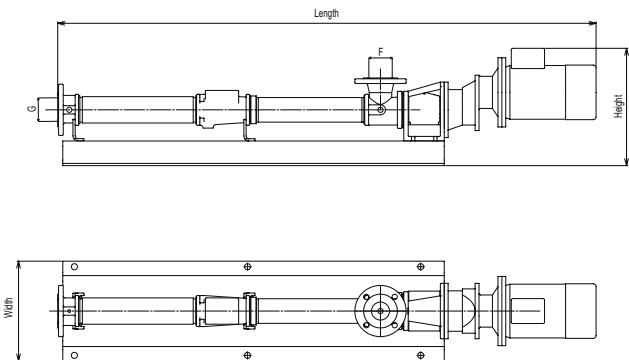
MODEL	LENGTH	WIDTH	HEIGHT	F & G
E11B	45	12	12	1 1/4"
E11D	51	12	12	1 1/4"
E12A	45	12	12	1 1/4"
E12B	51	12	12	1 1/4"
E12D	66	12	12	1 1/2"
E13K	53	12	12	1 1/2"
E13A	47	12	12	1 1/2"
E13B	53	12	12	1 1/2"
E1XA	50	12	12	2

STANDARD POWERDRIVE MODELS

MODEL	LENGTH	WIDTH	HEIGHT	F & G
E14A	74	14	19	3
E14B	86	17	19	3
E14K	82	14	19	3
E15A	80	14	19	3
E15B	98	17	19	3
E15K	91	17	19	3
E16A	91	17	19	4
E16B	125	20	24	4
E16K	103	17	19	4
E17A	114	17	23	6
E17B	133	20	24	6
E17K	130	20	24	6
E18A	119	20	23	6
E18B	149	20	26	6
E18K	136	20	24	6
E19A	136	20	26	8
E19B	154	20	26	8
E19K	154	20	26	8
E1AA	145	25	26	8
E1AB	172	20	29	8
E1AK	166	20	26	8
E1BA	161	20	29	8
E1BK	183	20	29	8

SHORT POWERDRIVE MODELS

MODEL	LENGTH	WIDTH	HEIGHT	F & G
E14A	65	14	19	3
E14B	78	17	19	3
E14K	73	14	19	3
E15A	72	14	19	3
E15B	89	17	19	3
E15K	82	17	19	3
E16A	82	17	19	4
E16B	112	20	24	4
E16K	94	17	19	4
E17A	101	17	23	6
E17B	121	20	24	6
E17K	115	20	24	6
E18A	146	20	23	6
E18B	134	20	26	6
E18K	124	20	24	6
E19A	120	20	26	8
E19B	139	20	26	8
E19K	139	20	26	8
E1AA	129	25	26	8
E1AB	159	20	29	8
E1AK	150	20	26	8
E1BA	146	20	29	8
E1BK	170	20	29	8



All dimensions in inches and for guidance only. Flanges to ANSI B16.1, B16.5 and NPT pipe thread.

Published information other than that marked CERTIFIED does not extend any warranty or representation, expressed or implied, regarding these products. Any such warranties or other terms and conditions of sales and products shall be in accordance with Monoflo's standard terms and conditions of sale, available on request.

Monoflo products are marketed outside North America under the mark Mono.
Literature reference: MFI-E Flyer
Monoflo® and PowerDrive™ are registered trademarks of Mono Pumps Ltd.



One Company, Unlimited Solutions