



# XL Range

**“A range of pumps designed to be directly interchangeable with traditional gear joint style pumps”.**

## Typical Applications

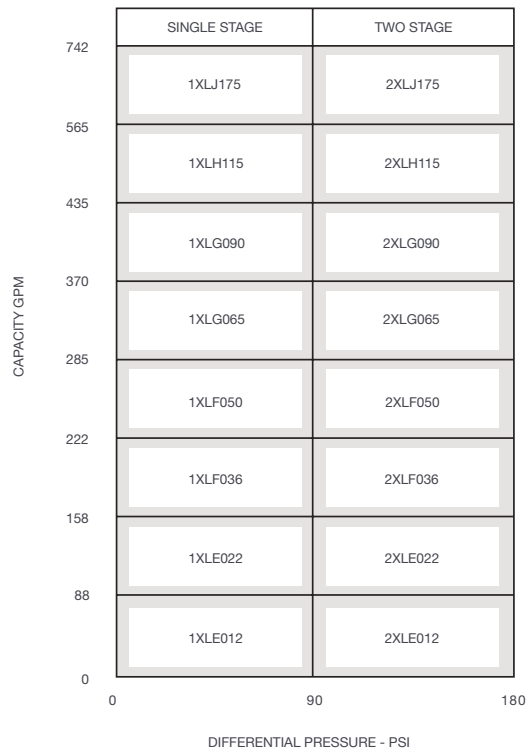
<b>Capacity</b>	up to 742 gpm	• Municipal sludge & lime slurry
<b>Pressure</b>	up to 180 psi	• Mineral processing
<b>Temperature</b>	20°F up to 350°F	• Industrial chemicals, detergents and polymers
		• Crude oil and waste oil
		• Coating slurry, starch and clays
		• Mine water

<b>Robust gear joint</b>	Heavy duty gear joint design for demanding applications.
<b>Materials of construction</b>	Available in cast iron with a choice of rotor and stator materials to suit individual applications.
<b>Low running speeds</b>	Reduced wear for a longer working pump life which extends the periods between routine maintenance. Think of the savings that could be realized on abrasive applications.
<b>Gentle pumping action</b>	Minimizes shear and crush damage to the pumped product, whilst maintaining a steady flow when pumping products with a high solids content.
<b>Up to 28ft suction lift</b>	Deep sumps can be easily emptied without the use of submersible equipment.
<b>High pressure / long haul pumping</b>	Can offer considerable project cost savings by utilizing small bore pipework and eliminating the need for a series of pumps, when pumping over long distances or with high head requirements.
<b>Versatile</b>	Can be run in either direction.

**Monoflo®**

One Company, Unlimited Solutions

# Performance Data

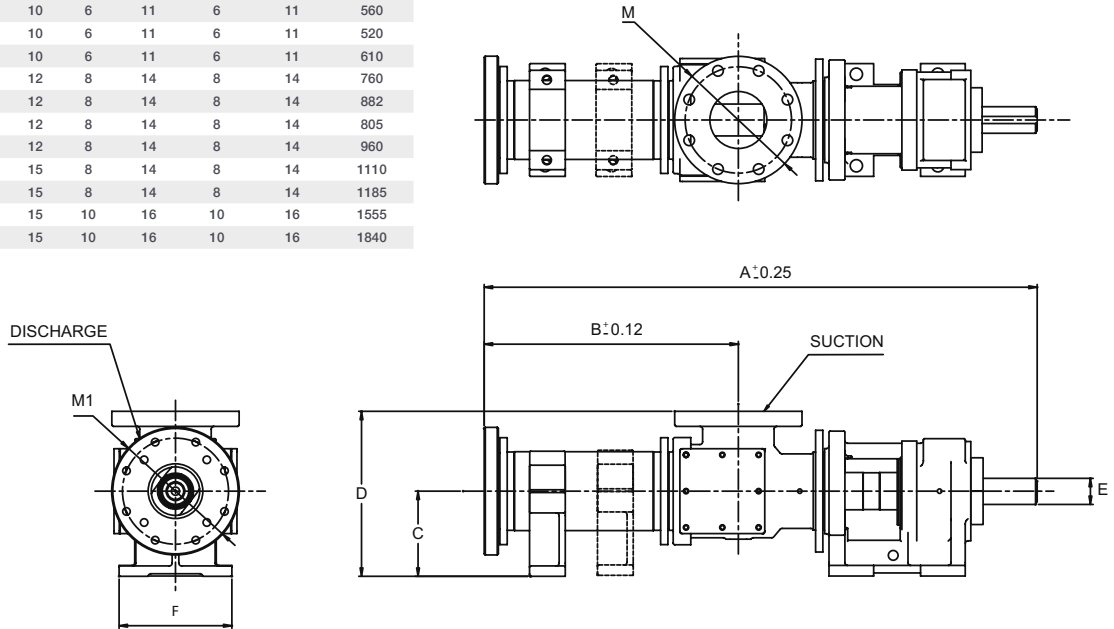


For guidance in selecting a pump please contact Monoflo.

# Dimensions

MODEL	STANDARD PUMP DIMENSIONS						SUCTION FLANGE		DISCHARGE FLANGE		APPROX WEIGHT LBS
	A	B	C	D	E	F	SIZE	M	SIZE	M1	
1XLE012	42	16	6	12	2	8	4	9	4	9	300
2XLE012	53	27	6	12	2	8	4	9	4	9	325
1XLE022	43	17	6	13	2	8	6	11	6	11	330
2XLE022	56	30	6	13	2	8	6	11	6	11	370
1XLF036	49	20	7	14	2	10	6	11	6	11	490
2XLF036	49	34	7	14	2	10	6	11	6	11	560
1XLF050	54	25	7	14	2	10	6	11	6	11	520
2XLF050	74	45	7	14	2	10	6	11	6	11	610
1XLG065	57	24	9	18	2	12	8	14	8	14	760
2XLG065	75	42	9	18	2	12	8	14	8	14	882
1XLG090	64	30	9	18	2	12	8	14	8	14	805
2XLG090	89	56	9	18	2	12	8	14	8	14	960
1XLH115	67	31	11	20	3	15	8	14	8	14	1110
2XLH115	90	54	11	20	3	15	8	14	8	14	1185
1XLJ175	75	34	11	22	3	15	10	16	10	16	1555
2XLJ175	101	61	11	22	3	15	10	16	10	16	1840

All dimensions in inches and for guidance only. Flanges to ANSI B16.1 and NPT pipe thread.



Published information other than that marked CERTIFIED does not extend any warranty or representation, expressed or implied, regarding these products. Any such warranties or other terms and conditions of sales and products shall be in accordance with Monoflo's standard terms and conditions of sale, available on request.

Monoflo products are marketed outside North America under the mark Mono.  
Literature reference: MFI-XL Flyer  
Monoflo® is a registered trademark of Mono Pumps Ltd.



One Company, Unlimited Solutions